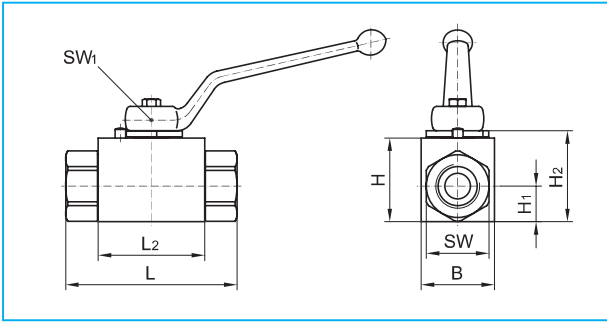


2-way ball valves with threaded connector

Steel · DN 4 - DN 40/25



Handle included in delivery

Please check pressure rating of the pipe fittings!

For actuators and handles refer to "Attachments, accessories"

Custom orders on request

All dimensions subject to change without notice

Dimensions in mm

Weight in kg

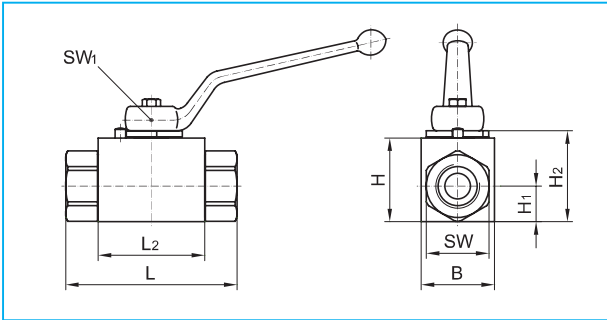
Pressure in bar

Body:	steel, black oxide	steel, black oxide	steel, black oxide	steel, black oxide
Ball:	steel, hard chrome plated	steel, hard chrome plated	steel, hard chrome plated	steel, hard chrome plated
Stem:	steel, zinc plated	steel, zinc plated	steel, zinc plated	steel, zinc plated
Ball seals:	POM	POM	PTFE-Comp.3	metal
Stem seals:	NBR	FKM	FKM	FKM

Connection	DN	Thread D	OD	L	L ₁	L ₂	B	H	H ₁	H ₂	SW	SW ₁	Handle Code	Weight
For cut (clamp) ring tube fittings DIN 2353 light series ISO 8434-1	4	M12 x 1,5	6	67	10	36	20	25	10,0	27,5	19	7	12	0,20
	6	M14 x 1,5	8	67	10	36	20	25	10,0	27,5	19	7	12	0,20
	8	M16 x 1,5	10	75	11	45	30	35	14,5	38,5	24	8	13	0,42
	10	M18 x 1,5	12	75	11	45	30	35	14,5	38,5	24	8	13	0,42
	12	M22 x 1,5	15	83	12	51	35	40	17,0	43,5	30	10	14	0,63
	16	M26 x 1,5	18	82	12	50	45	45	20,0	48,5	36	10	14	0,85
	20	M30 x 2	22	99	14	60	45	55	24,0	59,0	41	14	15	1,21
	25	M36 x 2	28	108	14	70	55	60	26,0	64,0	50	14	15	1,75
	32/25	M45 x 2	35	116	16	70	55	60	26,0	64,0	50	14	15	1,88
	40/25	M52 x 2	42	121	16	70	55	60	26,0	64,0	55	14	15	2,05
For cut (clamp) ring tube fittings DIN 2353 heavy series ISO 8434-1	4	M16 x 1,5	8	73	12	36	20	25	10,0	27,5	19	7	12	0,22
	6	M18 x 1,5	10	73	12	36	20	25	10,0	27,5	19	7	12	0,22
	8	M20 x 1,5	12	77	12	45	30	35	14,5	38,5	24	8	13	0,43
	10	M22 x 1,5	14	81	14	45	30	35	14,5	38,5	24	8	13	0,44
	12	M24 x 1,5	16	87	14	51	35	40	17,0	43,5	30	10	14	0,65
	16	M30 x 2	20	90	16	50	45	45	20,0	48,5	36	10	14	0,89
	20	M36 x 2	25	107	18	60	45	55	24,0	59,0	41	14	15	1,29
	25	M42 x 2	30	120	20	70	55	60	26,0	64,0	50	14	15	1,88
	32/25	M52 x 2	38	134	22	70	55	60	26,0	64,0	55	14	15	2,20
	BSP-female thread DIN EN ISO 228-1	4	G 1/8	-	69	12	36	20	25	10,0	27,5	19	7	12
6		G 1/4	-	69	12	36	20	25	10,0	27,5	19	7	12	0,21
10		G 3/8	-	73	14	45	30	35	14,5	38,5	24	8	13	0,43
12		G 1/2	-	82	15	51	35	40	17,0	43,5	30	10	14	0,67
16		G 5/8	-	88	18	50	45	45	20,0	48,5	36	10	14	0,97
20		G 3/4	-	93	18	60	45	55	24,0	59,0	41	14	15	1,28
25		G 1	-	115	18	70	55	60	26,0	64,0	50	14	15	2,00
32/25		G 1 1/4	-	134	20	70	55	60	26,0	64,0	50	14	15	2,05
40/25		G 1 1/2	-	139	22	70	55	60	26,0	64,0	55	14	15	2,20
NPT-female thread ANSI/ASME B1.20.1-1983		4	1/8 - 27 NPT	-	69	6,9	36	20	25	10,0	27,5	19	7	12
	6	1/4 - 18 NPT	-	69	10,0	36	20	25	10,0	27,5	19	7	12	0,21
	10	3/8 - 18 NPT	-	73	10,3	45	30	35	14,5	38,5	24	8	13	0,43
	12	1/2 - 14 NPT	-	82	13,6	51	35	40	17,0	43,5	30	10	14	0,67
	20	3/4 - 14 NPT	-	93	14,1	60	45	55	24,0	59,0	41	14	15	1,30
	25	1 - 11 1/2 NPT	-	115	16,8	70	55	60	26,0	64,0	50	14	15	2,00
	32/25	1 1/4 - 11 1/2 NPT	-	134	17,3	70	55	60	26,0	64,0	50	14	15	2,05
	40/25	1 1/2 - 11 1/2 NPT	-	139	17,3	70	55	60	26,0	64,0	55	14	15	2,44

DN	PN	Article-No.	PN	Article-No.	PN	Article-No.	PN	Article-No.
4	500	100 001	500	100 051	315	100 671	500	101 401
6	500	100 002	500	100 052	315	100 672	500	101 402
8	500	100 003	500	100 053	315	100 673	500	101 403
10	500	100 004	500	100 054	315	100 674	500	101 404
12	500	100 005	500	100 055	315	100 675	500	101 405
16	420	100 006	420	100 056	315	100 676	420	101 406
20	420	100 007	420	100 057	250	100 677	420	101 407
25	420	100 008	420	100 058	250	100 678	420	101 408
32/25	420	100 037	420	100 097	250	100 842	420	101 409
40/25	420	100 038	420	100 088	250	100 843	420	101 410
4	500	100 009	500	100 059	315	100 679	500	101 411
6	500	100 010	500	100 060	315	100 680	500	101 412
8	500	100 011	500	100 061	315	100 681	500	101 413
10	500	100 012	500	100 062	315	100 682	500	101 414
12	500	100 013	500	100 063	315	100 683	500	101 415
16	420	100 014	420	100 064	315	100 684	420	101 416
20	420	100 015	420	100 065	250	100 685	420	101 417
25	420	100 016	420	100 066	250	100 686	420	101 418
32/25	420	100 039	420	100 089	250	100 844	420	101 419
4	500	100 017	500	100 067	315	100 687	500	101 420
6	500	100 018	500	100 068	315	100 688	500	101 421
10	500	100 019	500	100 069	315	100 689	500	101 422
12	500	100 020	500	100 070	315	100 690	500	101 423
16	420	100 021	420	100 071	315	100 691	420	101 424
20	420	100 022	420	100 072	250	100 692	420	101 425
25	420	100 023	420	100 073	250	100 693	420	101 426
32/25	420	100 047	420	100 097	250	100 845	420	101 427
40/25	420	100 048	420	100 098	250	100 846	420	101 428
4	500	100 024	500	100 074	315	100 694	500	101 429
6	500	100 025	500	100 075	315	100 695	500	101 430
10	500	100 026	500	100 076	315	100 696	500	101 431
12	500	100 027	500	100 077	315	100 697	500	101 432
20	420	100 028	420	100 078	250	100 698	420	101 433
25	420	100 029	420	100 079	250	100 699	420	101 434
32/25	420	100 049	420	100 099	250	100 847	420	101 435
40/25	420	100 050	420	100 100	250	100 848	420	101 436

Steel · DN 4 - DN 25



Handle included in delivery

Please check pressure rating of the pipe fittings!

For actuators and handles refer to "Attachments, accessories"

Custom orders on request

All dimensions subject to change without notice

Dimensions in mm

Weight in kg

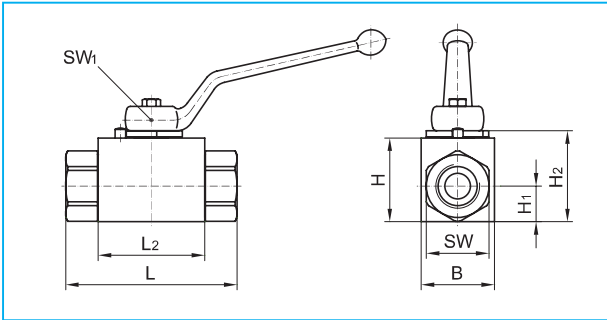
Pressure in bar

Body:	steel, black oxide	steel, black oxide	steel, black oxide
Ball:	steel, hard chrome plated	steel, hard chrome plated	steel, hard chrome plated
Stem:	steel, zinc plated	steel, zinc plated	steel, zinc plated
Ball seals:	POM	POM	PTFE-Comp.3
Stem seals:	NBR	FKM	FKM

Connection	DN	Thread D	OD	L	L ₁	L ₂	B	H	H ₁	H ₂	SW	SW ₁	Handle Code	Weight	DN	PN	Article-No.	PN	Article-No.	PN	Article-No.
For cut (clamp) ring tube fittings with ball lining DIN 7601 DIN 3863	4	M12 x 1,5	6	67	10	36	20	25	10,0	27,5	19	7	12	0,20	4	500	100 475	500	100 483	315	100 491
	6	M14 x 1,5	8	67	10	36	20	25	10,0	27,5	19	7	12	0,20	6	500	100 476	500	100 484	315	100 492
	8	M16 x 1,5	10	75	11	45	30	35	14,5	38,5	24	8	13	0,42	8	500	100 477	500	100 485	315	100 493
	10	M18 x 1,5	12	75	11	45	30	35	14,5	38,5	24	8	13	0,42	10	500	100 478	500	100 486	315	100 494
	12	M22 x 1,5	15	83	12	51	35	40	17,0	43,5	30	10	14	0,63	12	500	100 479	500	100 487	315	100 495
	16	M26 x 1,5	18	82	12	50	45	45	20,0	48,5	36	10	14	0,85	16	420	100 480	420	100 488	315	100 496
NPT-male thread ANSI/ASME B1.20.1-1983	20	M30 x 1,5	22	99	14	60	45	55	24,0	59,0	41	14	15	1,21	20	420	100 481	420	100 489	250	100 497
	25	M38 x 1,5	28	108	14	70	55	60	26,0	64,0	50	14	15	1,75	25	420	100 482	420	100 490	250	100 498
	4	1/8 - 27 NPT	-	67	10,0	36	20	25	10,0	27,5	19	7	12	0,20	4	500	100 613	500	100 619	315	100 625
	6	1/4 - 18 NPT	-	77	15,1	36	20	25	10,0	27,5	19	7	12	0,22	6	500	100 614	500	100 620	315	100 626
	8	3/8 - 18 NPT	-	85	15,3	45	30	35	14,5	38,5	24	8	13	0,45	8	500	100 615	500	100 621	315	100 627
	10	1/2 - 14 NPT	-	93	19,9	45	30	35	14,5	38,5	24	8	13	0,50	10	500	100 616	500	100 622	315	100 628
BSP-male thread (flat seal) DIN EN ISO 228-1	16	3/4 - 14 NPT	-	99	20,2	50	45	45	20,0	48,5	36	10	14	0,90	16	420	100 617	420	100 623	250	100 629
	20	1 - 11 1/2 NPT	-	121	25,0	60	45	55	24,0	59,0	41	14	15	1,30	20	420	100 618	420	100 624	250	100 630
	25	1 1/4 - 11 1/2 NPT	-	131	25,6	70	55	60	26,0	64,0	50	14	15	1,80	25	420	100 647	420	100 648	250	100 649
	4	G 1/8 A	-	67	10	36	20	25	10,0	27,5	19	7	12	0,20	4	500	100 631	500	100 639	315	100 663
	6	G 1/4 A	-	69	11	36	20	25	10,0	27,5	19	7	12	0,20	6	500	100 632	500	100 640	315	100 664
	8	G 3/8 A	-	77	12	45	30	35	14,5	38,5	24	8	13	0,42	8	500	100 633	500	100 641	315	100 665
Female thread ISO 11926-1	10	G 1/2 A	-	77	12	45	30	35	14,5	38,5	24	8	13	0,42	10	500	100 634	500	100 642	315	100 666
	12	G 5/8 A	-	83	12	51	35	40	17,0	43,5	30	10	14	0,63	12	500	100 635	500	100 643	315	100 667
	16	G 3/4 A	-	86	14	50	45	45	20,0	48,5	36	10	14	0,85	16	420	100 636	420	100 644	315	100 668
	20	G 1 A	-	103	16	60	45	55	24,0	59,0	41	14	15	1,22	20	420	100 637	420	100 645	250	100 669
	25	G 1 1/4 A	-	116	18	70	55	60	26,0	64,0	50	14	15	1,86	25	420	100 638	420	100 646	250	100 670
	6	7/16-20 UNF - 2B	-	69	11,7	36	20	25	10,0	27,5	22	7	12	0,22	6	500	100 031	500	100 081	315	100 041
10	9/16-18 UNF - 2B	-	73	12,7	45	30	35	14,5	38,5	27	8	13	0,43	10	500	100 032	500	100 082	315	100 042	
12	3/4-16 UNF - 2B	-	82	14,5	51	35	40	17,0	43,5	30	10	14	0,67	12	500	100 033	500	100 083	315	100 043	
20	1 1/16-12 UN - 2B	-	93	19,0	60	45	55	24,0	59,0	41	14	15	1,28	20	420	100 035	420	100 085	315	100 045	
25	1 5/16-12 UN - 2B	-	115	19,0	70	55	60	26,0	64,0	50	14	15	2,00	25	420	100 036	420	100 086	315	100 046	

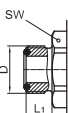
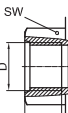
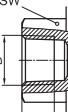
2-way ball valves with threaded connector

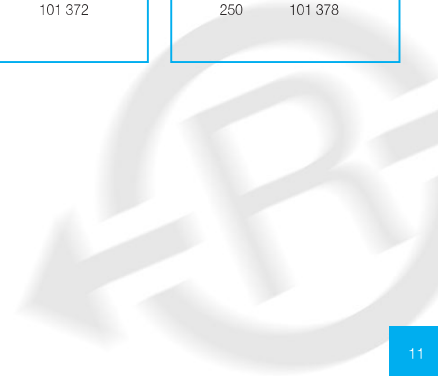
Steel · DN 4 - DN 25



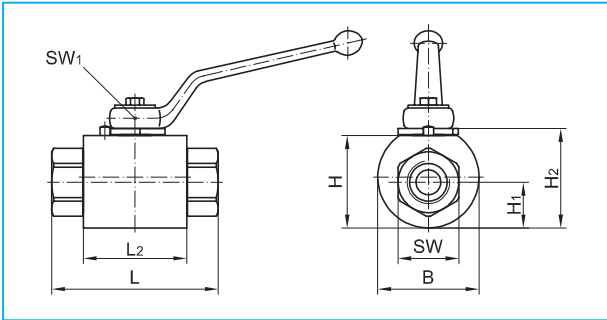
*) included in delivery
 Handle included in delivery
 Please check pressure rating of the pipe fittings!
 For actuators and handles refer to "Attachments, accessories"
 Custom orders on request
 All dimensions subject to change without notice
 Dimensions in mm
 Weight in kg
 Pressure in bar

Body:	steel, black oxide	steel, black oxide	steel, black oxide
Ball:	steel, hard chrome plated	steel, hard chrome plated	steel, hard chrome plated
Stem:	steel, zinc plated	steel, zinc plated	steel, zinc plated
Ball seals:	POM	POM	PTFE-Comp.3
Stem seals:	NBR	FKM	FKM

Connection	DN	Thread D	L	L1	L2	B	H	H1	H2	SW	SW1	Handle Code	O-Ring	Weight	DN	PN		PN		PN	
																Article-No.	Article-No.	Article-No.	Article-No.		
Male thread ISO 8434-3 	6	9/16-18 UNF	67	10,0	36	20	25	10,0	27,5	19	7	12	7,65 x 1,78'	0,20	6	500	101 111	500	101 121	315	101 131
	8	1 1/16-16 UN	75	11,0	45	30	35	14,5	38,5	24	8	13	9,25 x 1,78'	0,42	8	500	101 112	500	101 122	315	101 132
	10	1 3/16-16 UN	79	13,0	45	30	35	14,5	38,5	24	8	13	12,42 x 1,78'	0,44	10	500	101 113	500	101 123	315	101 133
	12	1-14 UNS	90	15,5	51	35	40	17,0	43,5	30	10	14	15,60 x 1,78'	0,65	12	500	101 114	500	101 124	315	101 134
	16	1 3/16-12 UN	92	17,0	50	45	45	20,0	48,5	36	10	14	18,77 x 1,78'	0,90	16	420	101 115	420	101 125	315	101 135
	20	1 7/16-12 UN	106	17,5	60	45	55	24,0	59,0	41	14	15	23,52 x 1,78'	1,22	20	420	101 116	420	101 126	250	101 136
	25	1 1/16-12 UN	115	17,5	70	55	60	26,0	64,0	50	14	15	29,87 x 1,78'	1,80	25	420	101 117	420	101 127	250	101 137
Female thread ISO 6149-1 	4	M10 x 1,0	69	10,0	36	20	25	10,0	27,5	19	7	12	-	0,22	4	500	101 141	500	101 151	315	101 161
	6	M12 x 1,5	69	11,5	36	20	25	10,0	27,5	19	7	12	-	0,21	6	500	101 142	500	101 152	315	101 162
	8	M14 x 1,5	73	11,5	45	30	35	14,5	38,5	24	8	13	-	0,44	8	500	101 143	500	101 153	315	101 163
	10	M16 x 1,5	73	13,0	45	30	35	14,5	38,5	24	8	13	-	0,43	10	500	101 144	500	101 154	315	101 164
	12	M18 x 1,5	82	14,5	51	35	40	17,0	43,5	30	10	14	-	0,67	12	500	101 145	500	101 155	315	101 165
	16	M22 x 1,5	88	15,5	50	45	45	20,0	48,5	36	10	14	-	0,97	16	420	101 146	420	101 156	315	101 166
	20	M27 x 2	93	19,0	60	45	55	24,0	59,0	41	14	15	-	1,28	20	420	101 147	420	101 157	250	101 167
	25	M33 x 2	115	19,0	70	55	60	26,0	64,0	50	14	15	-	2,00	25	420	101 148	420	101 158	250	101 168
BSPT-female thread ISO 7-1 	4	Rc 1/8	69	6,5	36	20	25	10,0	27,5	19	7	12	-	0,22	4	500	101 361	500	101 367	315	101 373
	6	Rc 1/4	69	9,7	36	20	25	10,0	27,5	19	7	12	-	0,21	6	500	101 362	500	101 368	315	101 374
	10	Rc 3/8	72	10,1	45	30	35	14,5	38,5	24	8	13	-	0,39	10	500	101 363	500	101 369	315	101 375
	12	Rc 1/2	83	13,2	51	35	40	17,0	43,5	30	10	14	-	0,71	12	500	101 364	500	101 370	315	101 376
	20	Rc 3/4	95	14,5	60	45	55	24,0	59,0	41	14	15	-	1,30	20	420	101 365	420	101 371	250	101 377
	25	Rc 1	113	16,8	70	55	60	26,0	64,0	50	14	15	-	2,00	25	420	101 366	420	101 372	250	101 378



Steel/Stainless steel · DN 4 - DN 25 · 840 bar



Note: Use only with fluid media!

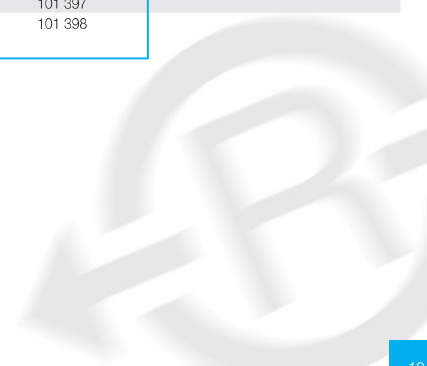
Handle included in delivery
Please check pressure rating of the pipe fittings!
For actuators and handles refer to "Attachments, accessories"
Custom orders on request
Also available with most other connections
All dimensions subject to change without notice
Dimensions in mm
Weight in kg
Pressure in bar

NEW!

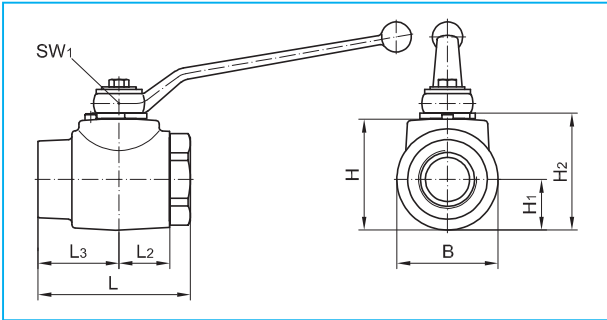


Body:	steel, black oxide	stainless steel
Ball:	steel, hard chrome plated	stainless steel
Stem:	steel, zinc plated	stainless steel
Ball seals:	PEEK	PEEK
Stem seals:	NBR	NBR

Connection	DN	Thread D	OD	L	L ₁	L ₂	B	H	H ₁	H ₂	SW	SW ₁	Handle Code	Weight	DN	PN	Article-No.	PN	Article-No.
For cut (clamp) ring tube fittings DIN 2353 heavy series ISO 8434-1	4	M16 x 1,5	8	114	12	67	65	62,5	30	66	41	10	19	1,84	4	840	101 338	840	101 380
	6	M18 x 1,5	10	114	12	67	65	62,5	30	66	41	10	19	1,86	6	840	101 339	840	101 381
	8	M20 x 1,5	12	114	12	67	65	62,5	30	66	41	10	19	1,89	8	840	101 340	840	101 382
	10	M22 x 1,5	14	118	14	67	65	62,5	30	66	41	10	19	1,96	10	840	101 341	840	101 383
	12	M24 x 1,5	16	118	14	67	65	62,5	30	66	41	10	19	1,98	12	840	101 342	840	101 384
	20	M36 x 2	25	156	18	90	108	102,0	51	106	70	14	20	6,60	20	840	101 343	840	101 385
25	M42 x 2	30	160	20	90	108	102,0	51	106	70	14	20	6,60	25	840	101 344	840	101 386	
BSP-female thread DIN EN ISO 228-1	4	G 1/8	-	90	11	67	65	62,5	30	66	41	10	19	1,82	4	840	101 345	840	101 387
	6	G 1/4	-	90	15	67	65	62,5	30	66	41	10	19	1,82	6	840	101 346	840	101 388
	10	G 3/8	-	90	15	67	65	62,5	30	66	41	10	19	1,84	10	840	101 347	840	101 389
	12	G 1/2	-	90	17	67	65	62,5	30	66	41	10	19	1,90	12	840	101 348	840	101 390
	20	G 3/4	-	120	19	90	108	102,0	51	106	70	14	20	6,50	20	840	101 349	840	101 391
	25	G 1	-	120	21	90	108	102,0	51	106	70	14	20	6,50	25	840	101 350	840	101 392
NPT-female thread ANSI/ASME B1.20.1-1983	4	1/8 - 27 NPT	-	90	6,9	67	65	62,5	30	66	41	10	19	1,82	4	840	101 351	840	101 393
	6	1/4 - 18 NPT	-	90	10,0	67	65	62,5	30	66	41	10	19	1,82	6	840	101 352	840	101 394
	10	3/8 - 18 NPT	-	90	10,3	67	65	62,5	30	66	41	10	19	1,84	10	840	101 353	840	101 395
	12	1/2 - 14 NPT	-	90	13,6	67	65	62,5	30	66	41	10	19	1,90	12	840	101 354	840	101 396
	20	3/4 - 14 NPT	-	120	14,1	90	108	102,0	51	106	70	14	20	6,50	20	840	101 355	840	101 397
	25	1 - 11 1/2 NPT	-	120	16,8	90	108	102,0	51	106	70	14	20	6,50	25	840	101 356	840	101 398



Steel · DN 32 - DN 50



Handle included in delivery.

Please check pressure rating of the pipe fittings!

For actuators and handles refer to "Attachments, accessories"

Custom orders on request

Also available with most other connections

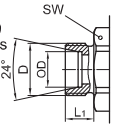
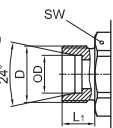
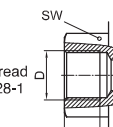
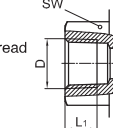
All dimensions subject to change without notice

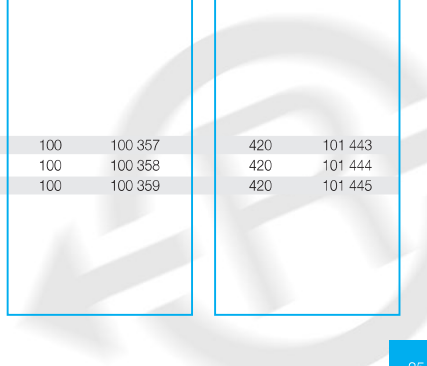
Dimensions in mm

Weight in kg

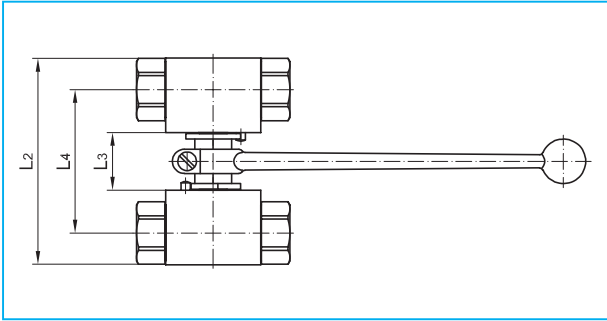
Pressure in bar

Body:	steel, black oxide	steel, black oxide	steel, black oxide	steel, black oxide
Ball:	steel, hard chrome plated	steel, hard chrome plated	steel, hard chrome plated	steel, hard chrome plated
Stem:	steel, zinc plated	steel, zinc plated	steel, zinc plated	steel, zinc plated
Ball seals:	POM	POM	PTFE-Comp.3	metal
Stem seals:	NBR	FKM	FKM	FKM

Connection	DN	Thread D	OD	L	L1	L2	L3	B	H	H1	H2	SW	SW1	Handle Code	Weight	DN	PN	Article-No.	PN	Article-No.	PN	Article-No.	PN	Article-No.
For cut (clamp) ring tube fittings DIN 2353 light series ISO 8434-1 	32	M45 x 2	35	121	16	36,5	58,5	73	80	36,5	84,5	60	17	21	2,59	32	420	100 251	420	100 301	100	100 351	420	101 437
	40	M52 x 2	42	118	16	40,0	52,5	85	90	42,5	94,5	75	17	21	3,24	40	420	100 252	420	100 302	100	100 352	420	101 438
For cut (clamp) ring tube fitting DIN 2353 heavy series ISO 8434-1 	32	M52 x 2	38	127	22	36,5	58,2	73	80	36,5	84,5	60	17	21	2,73	32	420	100 253	420	100 303	100	100 353	420	101 439
	32	G 1 1/4	-	110	24,0	36,5	58,5	73	80	36,5	84,5	60	17	21	3,07	32	420	100 254	420	100 304	100	100 354	420	101 440
BSP-female thread DIN EN ISO 228-1 	40	G 1 1/2	-	114	26,0	40,0	57,0	85	90	42,5	94,5	75	17	21	3,96	40	420	100 255	420	100 305	100	100 355	420	101 441
	50	G 2	-	129	27,5	48,0	65,0	99	104	49,5	108,5	85	17	22	5,02	50	420	100 256	420	100 306	100	100 356	420	101 442
NPT-female thread ANSI/ASME B1.20.1-1983 	32	1 1/4 - 11/2 NPT	-	110	17,3	36,5	58,5	73	80	36,5	84,5	60	17	21	3,46	32	420	100 257	420	100 307	100	100 357	420	101 443
	40	1 1/2 - 11/2 NPT	-	114	17,3	40,0	57,0	85	90	42,5	94,5	75	17	21	3,96	40	420	100 258	420	100 308	100	100 358	420	101 444
	50	2 - 11/2 NPT	-	129	17,7	48,0	65,0	99	104	49,5	108,5	85	17	22	5,28	50	420	100 259	420	100 309	100	100 359	420	101 445

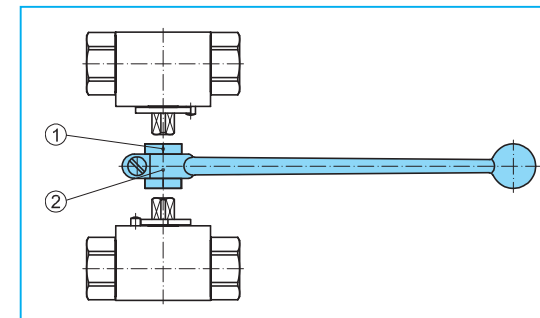


Steel or stainless steel · as combination · DN 4 - DN 50



Mounting sets are identical in design for multi-way ball valves with floating ball.
For dimensions and article numbers for ball valve bodies refer to the respective chapter.
Custom orders on request
All dimensions subject to change without notice
Dimensions in mm
Also available completely assembled

Connection	DN	Steel			Stainless steel (standard)			Stainless steel (630 bar)			Mounting sets DN	Steel	Stainless steel
		L2	L3	L4	L2	L3	L4	L2	L3	L4		Article-No.	Article-No.
ALL	4	67	17	47	67	17	47	77	17	49,6	4	100 780	100 849
	6	67	17	47	67	17	47	77	17	49,6	6	100 780	100 849
	8	94	24	65	94	24	65	104	24	68,0	8	100 781	100 850
	10	94	24	65	94	24	65	104	24	68,0	10	100 781	100 850
	12	111	31	77	111	31	77	121	31	79,0	12	100 782	100 851
	16	121	31	81	150	40	102	170	40	108,0	16	100 782	100 852
	20	150	40	102	150	40	102	170	40	108,0	20	100 784	100 852
	25	160	40	108	160	40	108	190	40	114,0	25	100 784	100 852
	32	203	43	130	203	43	130	-	-	-	32	100 785	100 803
	40	223	43	138	223	43	138	-	-	-	40	100 785	100 803
	50	251	43	152	251	43	152	-	-	-	50	100 785	100 803



Combination consisting of:
two ball valves (without handle)
and one mounting set

Mounting set consisting of
① Square coupling (1 pc.)
② Handle (1 pc.)

